



RHB3S-LED300

LED Round Highbay

Wide Voltage
Range
120-347V



IDEAL APPLICATIONS

- Warehouses
- Factories
- Gyms
- Industrial Applications

DESCRIPTION:

The Round Highbay provides optimal widespread illumination ideal for warehouses, factories, gyms and other highbay applications.

FEATURES:

- Ruggedly designed with die cast aluminum body and polycarbonate lens.
- Standard unit comes with a hook for suspension mounting. Yoke and Junction Box Kits for 1/2" or 3/4" NPT for pendant mounting are optional.
- This fixture is available in 4000K or 5000K.
- Easy to install with mounting hook and 2 meter cab tire for line voltage and 0.5 meter cab tire for 0-10V Dimming.
- Accessory options include Aluminum reflector, Yoke, Wire guard, DC Motion sensor, Remote Control, Battery Back Up, Junction Box Kit with 1/2" or 3/4" NPT adapter for Pendant Mount.
- Optional motion sensor that can be easily connected without the need for extra wiring.
- Ideal for mounting heights of 25-40 feet.

SPECIFICATIONS

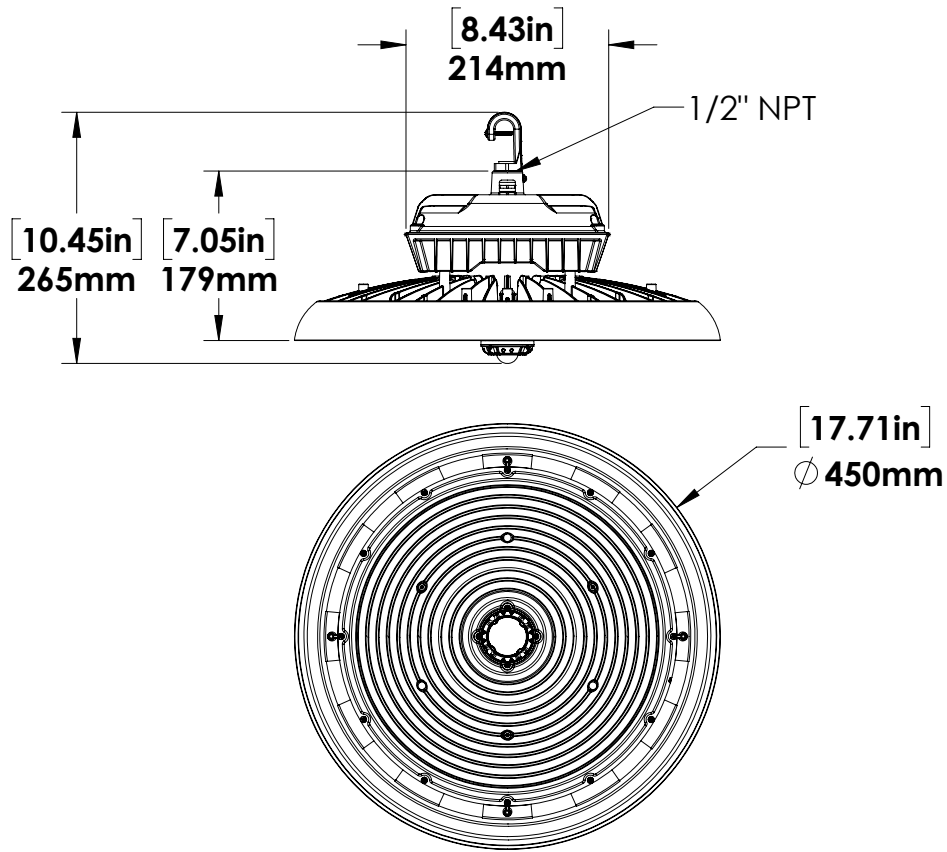
RHB3S-LED300

Watts	300.7W
Lumens	43163 Lm
Efficacy	143.6 Lm/W
Replaces	1000 MH
Voltage	120-347V
Colour Temp	4000K, 5000K
CRI	83
Dimming	0-10V Dim (10% to 100%)
THD	<15%
PF	0.9
Beam Distribution	90 Degree
LED Life (L81)	100,000 Hours
Housing Finish	Black
Housing Details	Die Cast Aluminum
Lens Details	Clear Polycarbonate Lens
Mounting	Suspended*, Pendant, Yoke
Cable Length	Input Power - 2m Cab Tire Cable (3x18 AWG) Dimming - 0.5m Cab Tire Cable (2x22 AWG)
Operating Temp.	Without Motion Sensor: -40°C TO 50°C With Motion Sensor: -30°C TO 50° C With Battery Back Up: 10°C TO 50° C
Options Sold Separately	Yoke, Aluminum Reflector, Wire Guard, DC Microwave Motion Sensor, Battery Back Up, Junction Box Kit with 1/2" or 3/4" NPT adapter for Pendant Mount
Certifications	UL, Wet Location, IP65, DLC 5.1 Premium

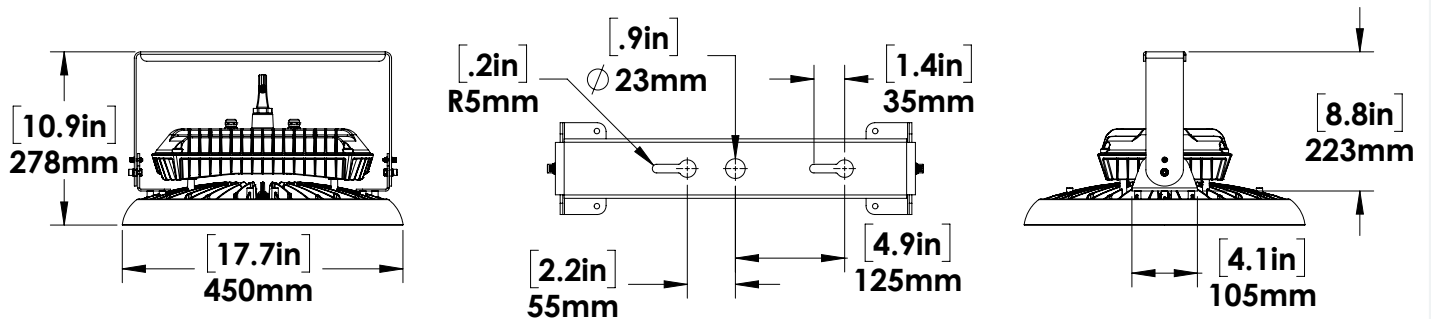
*Standard Configuration



DIMENSIONS:

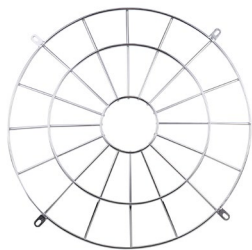
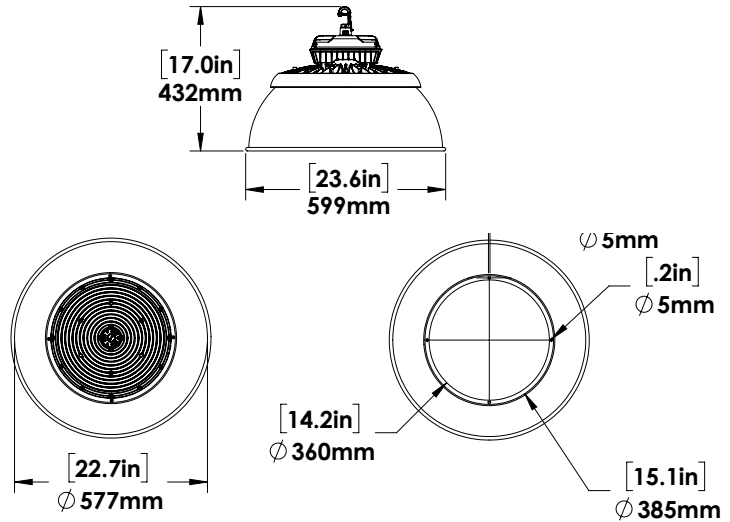


DIMENSIONS OF FIXTURE WITH YOKE MOUNT

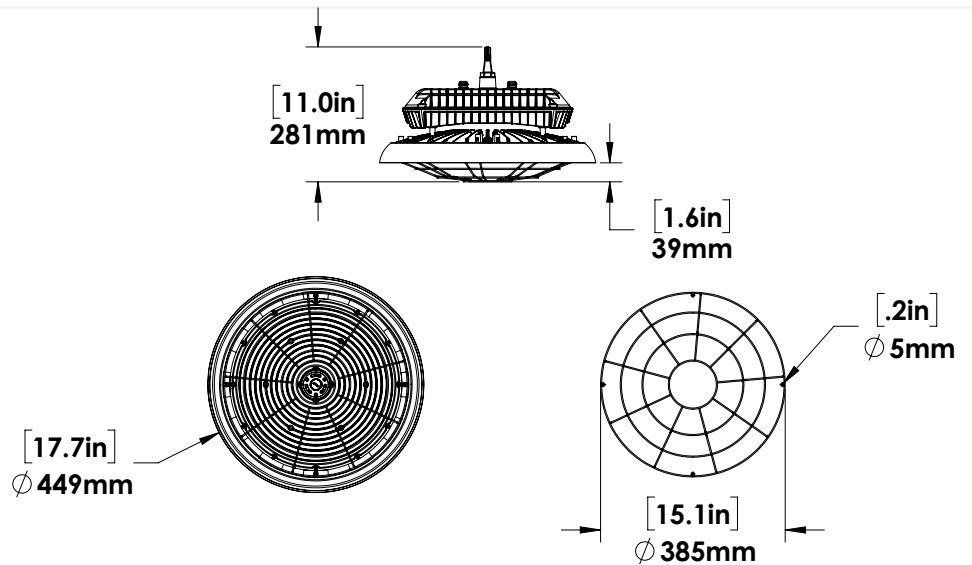




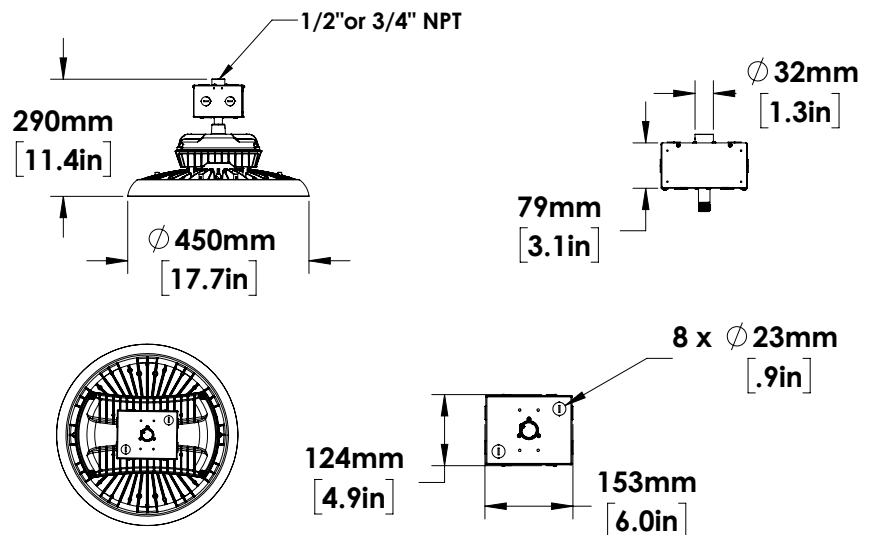
ALUMINUM REFLECTOR



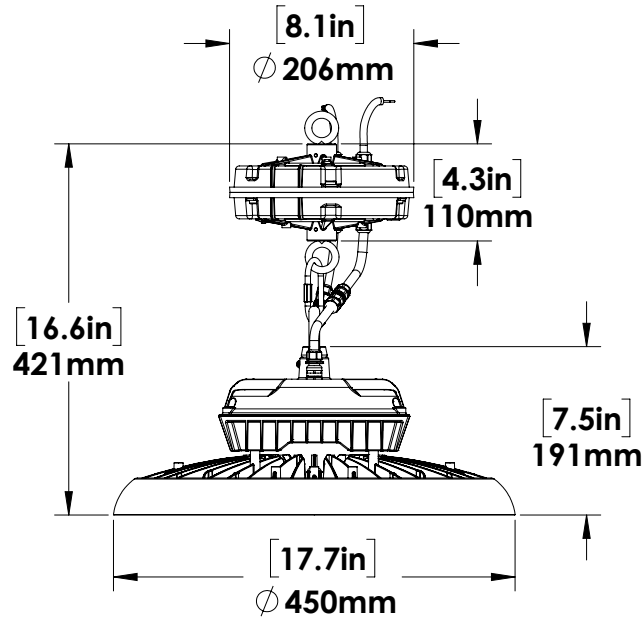
WIRE GUARD



JUNCTION BOX



DIMENSIONS OF FIXTURE WITH BATTERY BACK UP:



Note: Easy to Install - Cable connectors and hooks are included in the package.

AMPERAGE DRAW & SURGE PROTECTION

	CURRENT (A)					INTERNAL SURGE PROTECTION (kV)
	120V	208V	240V	277V	347V	120-347V
RHB3S-LED300	2.63A	1.52A	1.32A	1.14A	0.91A	6kV

TM-21 ESTIMATED LUMEN MAINTENANCE

	50,000 Hours	75,000 Hours	100,000 Hours
RHB3S-LED300	90.2%	85.7%	81.4%

WEIGHTS (lbs)

RHB3S-LED300	15
--------------	----

SPECIFICATIONS

Model Number	Voltage (V)	Power (W)	Light Output (lm)	Efficacy (lm/W)	THD (%)	PF	CCT (K)
RHB3S-LED300-H-5K-BLK-DIM-PCL	120-347	301	43163	143.6	<15.0	0.900	5000
RHB3S-LED300-H-4K-BLK-DIM-PCL	120-347	302	42510	140.9	<15.0	0.900	4000

LEGEND

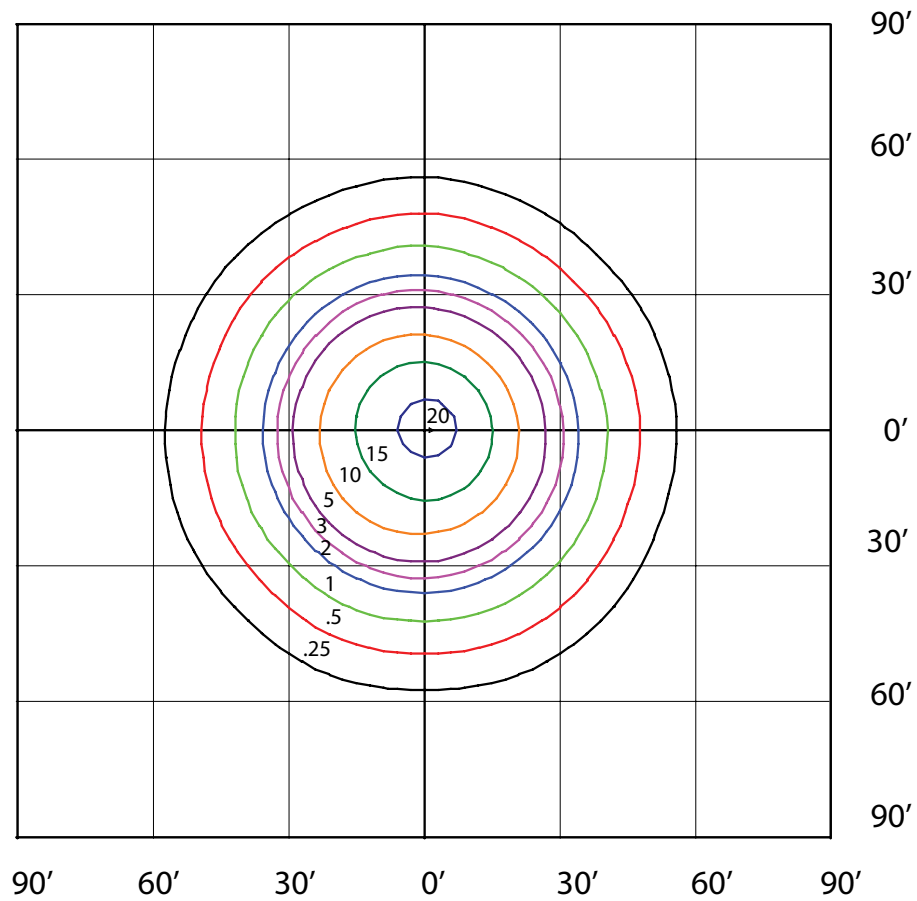
H - 120-347V
4K - 4000K, 5K - 5000K
DIM - 0-10V Dimming
PCL - Polycarbonate Lens

RHB3S-LED300-H-4K-
DIM MOUNTED AT 30
FEET

Total Lumens = 42266 Lm

Mounting 30 Feet

Maximum Calculated Value = 21.44 Fc



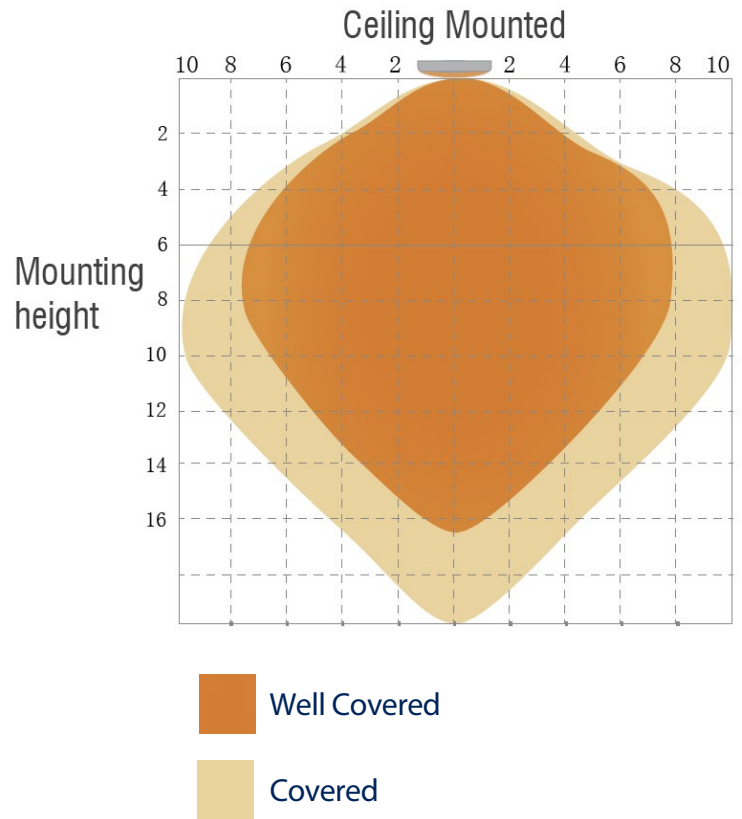
DC MICROWAVE MOTION SENSOR SETTINGS

SENSOR SPECIFICATIONS

SPECIFICATIONS	
Operating Voltage	12V DC
Operating Current	30mA
Output	0-10V DC
Stand-by Power	0.5W
Frequency	5.8GHz +/-75MHz
IP Rating	IP65
Detection Angle	30° - 150°
Mounting Height	Max 15m (50ft)
Brightness	70%/80%/90%/100%
Sensitivity	20%/50%/75%/100%
Hold time	10s/1min/10min/30min
Daylight threshold	10Lux/30Lux/50Lux/100Lux/Disabled
Stand-by time	1min/30min/60min/+∞
Stand-by Dimming Level	10%/20%/30%/50%

DEFAULT SETTINGS	
Brightness	70%
Sensitivity	20%
Hold time	10s
Daylight threshold	Disabled
Stand-by time	+ ∞
Stand-by Dimming Level	10%

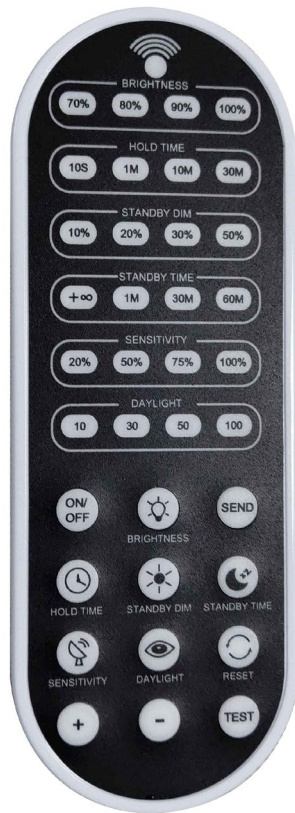
SENSOR DETECTION RANGE (M)



DC MOTION SENSOR REMOTE CONTROL

SPECIFICATIONS

TOP SECTION:
Settings Display Area



BOTTOM SECTION:
Button Setting Area

BUTTON	FUNCTION
ON/OFF	Long press until the brightness indicator light is on. Then press to permanently turn on and off the fixture.
BRIGHTNESS	Sets the highest light fixture brightness when motion is detected.
SEND	Uploads the selected remote-control parameters to the light fixture sensor.
HOLD TIME	The time the light fixture will remain at the brightness setting after it detects motion.
STAND-BY DIM	The Dim level that the light fixture will dim down to after the Hold Time has expired.
STAND-BY TIME	The time the light fixture will remain in the Stand-by dim state before it shuts off. To disable the light from shutting off, select the INFINITY icon.
SENSITIVITY	Sets the sensitivity to which the sensor will detect motion.
DAYLIGHT	The lux setting at which the light fixture will turn on/off. If the ambient lux is more than the defined lux setting, the fixture & sensor function will turn off and remain off until the ambient lux is below the setting. Long press until the daylight indicator light is on. Then press to select the desired lux setting. To disable daylight sensor, long press again.
RESET	Resets the light fixture sensor parameters to the default settings.
- / +	Press to increase or decrease brightness from 0% to 100%.
TEST	Press to test the sensor (hold time is only 3s).

Note: Maintain at least 12 feet distance from the sensor when programming

LED EMERGENCY DRIVER

TECHNICAL DATA

ITEM	DATA
Rated Input Voltage	100-277 VAC, 50-60Hz
Input Current	50-150mA
Input Power	8.5W max
Power Factor	0.6 @ 100VAC
Output Wire L - out N - out (LED load input)	AC 6A Max
Output Voltage Range	DC 120-200V
Max Output Voltage	250V
Battery Pack Voltage/Capacity	LiFePO4 12.8V 6600mAh, 84.48 Wh
Recharge Current	0-500mA
Recharge Time	24 Hours
Discharge Time	90 Minutes
Max. Casing Temperature tc.	70°C

PROTECTIONS

- Input over current protection.
- Output over voltage protection.
- Output under current protection.
- Output short circuit protection (Emergency Mode).

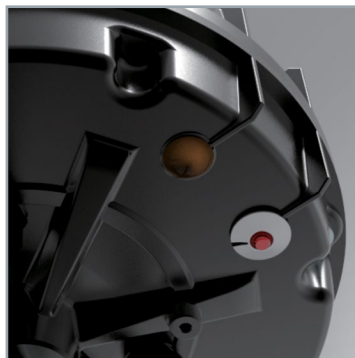
WARNINGS

- Use only for 0-10V dimmable 10W-300W light fixtures
- Please check and confirm all the data and usage surrounding before installation.
- Damp or wet location.
- Please keep it away from any flammable materials with a place of good heat dissipation.
- Please charge the battery consistently for >24 hours for the first time usage to activate the whole battery cells of discharging/charging duration.



REMOTE CONTROL

- If you press the TEST button once, the system will go into discharging mode for 5 seconds then returns to charging mode.
- If you press H-T (Hold test button), the system will go into charging mode and will keep discharging. By pressing it again, the system will stop discharging and go back into working mode.
- The Max remote control distance is 15 meters.



TEST SWITCH

- Emergency conversion Kit will go into emergency mode if test switch is pressed when main supply is on, while it will go into charging mode if test switch is not pressed.
- In emergency mode, press the test switch for 3 seconds to turn off the current emergency state.

LED INDICATOR

- Red stable: charging mode or charging full.
- Red off: main power off or discharging.

ORDERING GUIDE:

RHB3S	LED300	H		BLK	DIM	PCL
Fixture	Wattage	Voltage	Colour Temp.	Paint Finish	Dimming	Lens
	LED300	H - 120-347V	4K - 4000K 5K - 5000K	BLK - Matte Black	DIM - 0-10V Dimming	PCL- Polycarbonate Lens

STOCK CODE	DESCRIPTION
081177	RHB3S-LED300-H-4K-BLK-DIM-PCL
081178	RHB3S-LED300-H-5K-BLK-DIM-PCL

ORDERING GUIDE FOR ACCESSORIES

Options Sold Separately
Check the items that you wish to order:

- 081245 - RHB3S ALUMINUM REFLECTOR
- 002348 - RHB3S STEEL WIRE GUARD
- 081244 - RHB3S YOKE BLK
- 002363 - RHB3S JUNCTION BOX PENDANT KIT BLK
- 080909 - DC MOTION SENSOR
- 080970 - DC MOTION SENSOR REMOTE CONTROL
- 002318 - RHB3S 120-347V LED EMERGENCY BATTERY BACKUP